



TDA18291HN

Low power DVB / T tuner

Rev. 01 — 28 August 2007

Product short data sheet

1. General description

The TDA18291HN is a BiCMOS integrated circuit receiver intended for digital TV reception for low power applications (e.g. mobile phone and PDA).

The tuner is designed for the terrestrial digital video broadcast (DVB-T standard) and handheld DVB standard (DVB-H standard). It operates in the VHFIII and UHF band (174 MHz to 230 MHz and 470 MHz to 862 MHz) and contains all the functions needed for a whole receiver chain from (RF) input to baseband IQ outputs: LNA, quadrature mixer, channel filters and a complete RF PLL with a fully integrated VCO. The PLL can operate from a number of reference frequencies, fitting almost any mobile platform.

The tuner has been designed for low power mobile applications. Power consumption has been optimized and a dedicated on-off pin has been added to allow for fast switching, and thus reduce power, in time-sliced applications. To reduce the footprint of the application, the number of external components has been minimized and the tuner is available in a HVQFN32 package (5 mm × 5 mm).

2. Features

- 150 mW power consumption in DVB-T mode
- 4 dB noise figure
- Direct conversion ZIF architecture
- 174 MHz to 230 MHz and 470 MHz to 862 MHz tuning range
- Low noise, wide dynamic receiver
- Fully integrated balanced LNA
- Fully integrated channel filters with built-in self-calibration
- Fully integrated fractional N frequency synthesizer
- Fully integrated VCO
- I²C-bus controllable
- Dedicated pin for DVB-H time slicing control
- 19.2 MHz, 26 MHz and 38.4 MHz reference frequency compliant
- HVQFN32 package (5 mm × 5 mm)

3. Quick reference data

Table 1. Quick reference data

Symbol	Parameter	Conditions	Min	Typ	Max	Unit
V_{CCA}	analog supply voltage		2.6	2.8	3.0	V
V_{CCD}	digital supply voltage		1.6	1.8	2.0	V
I_{CCA}	analog supply current	Normal mode	-	54	-	mA
I_{CCD}	digital supply current		-	0.6	-	mA
$V_{o(dif)(p-p)}$	peak-to-peak differential output voltage		-	1.0	1.4	V
$f_{-3dB(lpf)}$	low-pass filter cut-off frequency		3.8	4.0	4.2	MHz
ΔG_{AGC}	AGC gain range		-	60	-	dB
T_{amb}	ambient temperature		-30	+25	+70	°C

4. Ordering information

Table 2. Ordering information

Type number	Package		
	Name	Description	Version
TDA18291HN/C1	HVQFN32	plastic thermal enhanced very thin quad flat package; no leads; 32 terminals; body 5 × 5 × 0.85 mm	SOT617-1

5. Block diagram

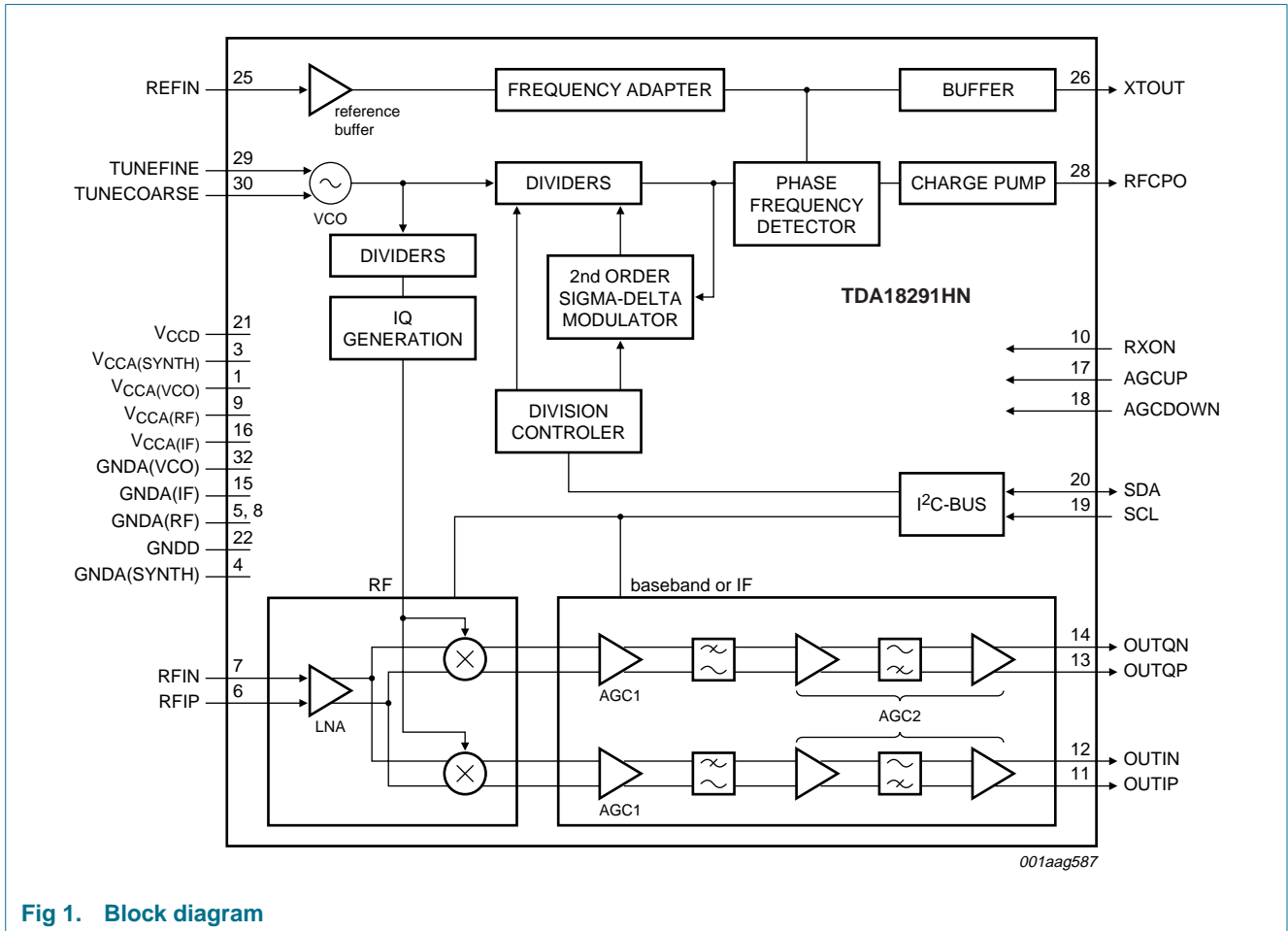


Fig 1. Block diagram

6. Limiting values

Table 3. Limiting values

In accordance with the Absolute Maximum Rating System (IEC 60134).

Symbol	Parameter	Conditions	Min	Max	Unit
V _{CCA}	analog supply voltage		-	3.0	V
V _{CCD}	digital supply voltage		-	2.0	V
T _{amb}	ambient temperature		-30	+85	°C
T _{stg}	storage temperature		-55	+150	°C
V _{esd}	electrostatic discharge voltage	HBM	[1] -	±2000	V
		MM	[2] -	±200	V

[1] JEDEC Standard JESD22-A114E, ESD sensitivity testing Human Body Model (HBM).

[2] JEDEC Standard JESD22-A115-A, ESD sensitivity testing Machine Model (MM).

7. Abbreviations

Table 4. Abbreviations

Acronym	Description
AGC	Automatic Gain Control
BiCMOS	Bipolar Complementary Metal Oxide Semiconductor
DVB-H	Digital Video Broadcasting - Handheld
DVB-T	Digital Video Broadcasting - Terrestrial
ESD	ElectroStatic Discharge
HBM	Human Body Model
HVQFN	Heatsink Very thin Quad Flat package No leads
IQ	In-phase Quadrature
LNA	Low Noise Amplifier
MM	Machine Model
PDA	Personal Digital Assistant
PLL	Phase-Locked Loop
RF	Radio Frequency
UHF	Ultra High Frequency
VCO	Voltage Controlled Oscillator
ZIF	Zero Intermediate Frequency

8. Revision history

Table 5. Revision history

Document ID	Release date	Data sheet status	Change notice	Supersedes
TDA18291HN_1	20070828	Product short data sheet	-	-

9. Legal information

9.1 Data sheet status

Document status ^{[1][2]}	Product status ^[3]	Definition
Objective [short] data sheet	Development	This document contains data from the objective specification for product development.
Preliminary [short] data sheet	Qualification	This document contains data from the preliminary specification.
Product [short] data sheet	Production	This document contains the product specification.

[1] Please consult the most recently issued document before initiating or completing a design.

[2] The term 'short data sheet' is explained in section "Definitions".

[3] The product status of device(s) described in this document may have changed since this document was published and may differ in case of multiple devices. The latest product status information is available on the Internet at URL <http://www.nxp.com>.

9.2 Definitions

Draft — The document is a draft version only. The content is still under internal review and subject to formal approval, which may result in modifications or additions. NXP Semiconductors does not give any representations or warranties as to the accuracy or completeness of information included herein and shall have no liability for the consequences of use of such information.

Short data sheet — A short data sheet is an extract from a full data sheet with the same product type number(s) and title. A short data sheet is intended for quick reference only and should not be relied upon to contain detailed and full information. For detailed and full information see the relevant full data sheet, which is available on request via the local NXP Semiconductors sales office. In case of any inconsistency or conflict with the short data sheet, the full data sheet shall prevail.

9.3 Disclaimers

General — Information in this document is believed to be accurate and reliable. However, NXP Semiconductors does not give any representations or warranties, expressed or implied, as to the accuracy or completeness of such information and shall have no liability for the consequences of use of such information.

Right to make changes — NXP Semiconductors reserves the right to make changes to information published in this document, including without limitation specifications and product descriptions, at any time and without notice. This document supersedes and replaces all information supplied prior to the publication hereof.

Suitability for use — NXP Semiconductors products are not designed, authorized or warranted to be suitable for use in medical, military, aircraft, space or life support equipment, nor in applications where failure or malfunction of a NXP Semiconductors product can reasonably be expected to

result in personal injury, death or severe property or environmental damage. NXP Semiconductors accepts no liability for inclusion and/or use of NXP Semiconductors products in such equipment or applications and therefore such inclusion and/or use is at the customer's own risk.

Applications — Applications that are described herein for any of these products are for illustrative purposes only. NXP Semiconductors makes no representation or warranty that such applications will be suitable for the specified use without further testing or modification.

Limiting values — Stress above one or more limiting values (as defined in the Absolute Maximum Ratings System of IEC 60134) may cause permanent damage to the device. Limiting values are stress ratings only and operation of the device at these or any other conditions above those given in the Characteristics sections of this document is not implied. Exposure to limiting values for extended periods may affect device reliability.

Terms and conditions of sale — NXP Semiconductors products are sold subject to the general terms and conditions of commercial sale, as published at <http://www.nxp.com/profile/terms>, including those pertaining to warranty, intellectual property rights infringement and limitation of liability, unless explicitly otherwise agreed to in writing by NXP Semiconductors. In case of any inconsistency or conflict between information in this document and such terms and conditions, the latter will prevail.

No offer to sell or license — Nothing in this document may be interpreted or construed as an offer to sell products that is open for acceptance or the grant, conveyance or implication of any license under any copyrights, patents or other industrial or intellectual property rights.

9.4 Trademarks

Notice: All referenced brands, product names, service names and trademarks are the property of their respective owners.

I²C-bus — logo is a trademark of NXP B.V.

10. Contact information

For additional information, please visit: <http://www.nxp.com>

For sales office addresses, send an email to: salesaddresses@nxp.com

11. Contents

1	General description	1
2	Features	1
3	Quick reference data	2
4	Ordering information	2
5	Block diagram	3
6	Limiting values	3
7	Abbreviations	4
8	Revision history	4
9	Legal information	5
9.1	Data sheet status	5
9.2	Definitions	5
9.3	Disclaimers	5
9.4	Trademarks	5
10	Contact information	5
11	Contents	6

Please be aware that important notices concerning this document and the product(s) described herein, have been included in section 'Legal information'.



© NXP B.V. 2007.

All rights reserved.

For more information, please visit: <http://www.nxp.com>

For sales office addresses, please send an email to: salesaddresses@nxp.com

Date of release: 28 August 2007

Document identifier: TDA18291HN_SDS_1